

UKL AV and AVA are meant to remove air automatically from steam spaces.

- Air is a harmful ingredient in steam going to process areas.
- Presence of air aids corrosion and leakage from pipelines and from vessels.
- Air can enter steam space through Boiler Feed Water circuit.
- Air can enter from atmosphere when steam condenses over long stoppages.

Features:-

- Air Vent can be supplied as a loose product to be fitted as required.
- Air Vent Assembly is supplied as a complete assembly to be fitted on a pipeline or a vessel.
- Assembly includes an air collector bottle and an automatic air vent with a piston valve for isolation.
- Thermostatic Air vent removes the air automatically and closes when in contact with steam.
- Improves Heat transfer rates and ensures uniform heating
- Avoids corrosion in system

MATERIAL OF CONSTRUCTION :-
Carbon Steel

SIZES AVAILABLE :-
1/2" and 3/4"

INSTALLATION :-
Preferably in Vertical position.

OPERATING CONDITIONS :-
AIR VENT ASSEMBLY (UAVA) :-
Maximum Operating Pressure : 149.36 psi
Maximum Operating Temperature : 356 °F

AIR VENT (UAV) :-
Maximum Operating Pressure : 455 psi
Maximum Operating Temperature : 464 °F

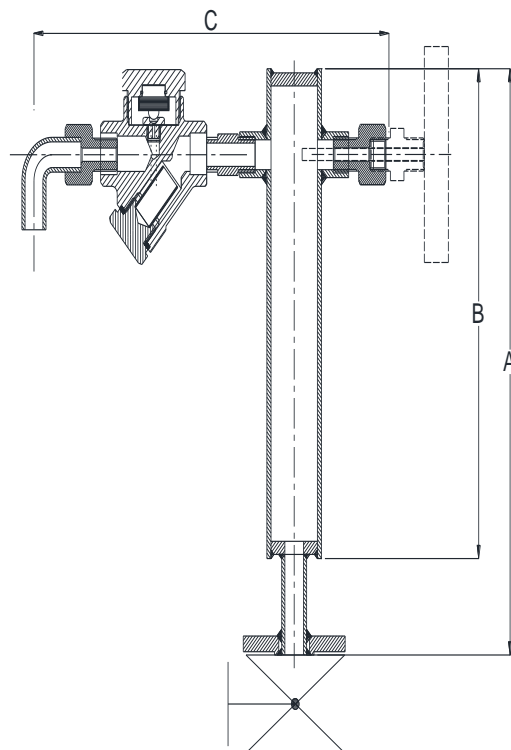
OPTIONAL :-

IBR/Non-IBR

Available as Air Vent (UAV)/ Air vent Assembly(UAVA)

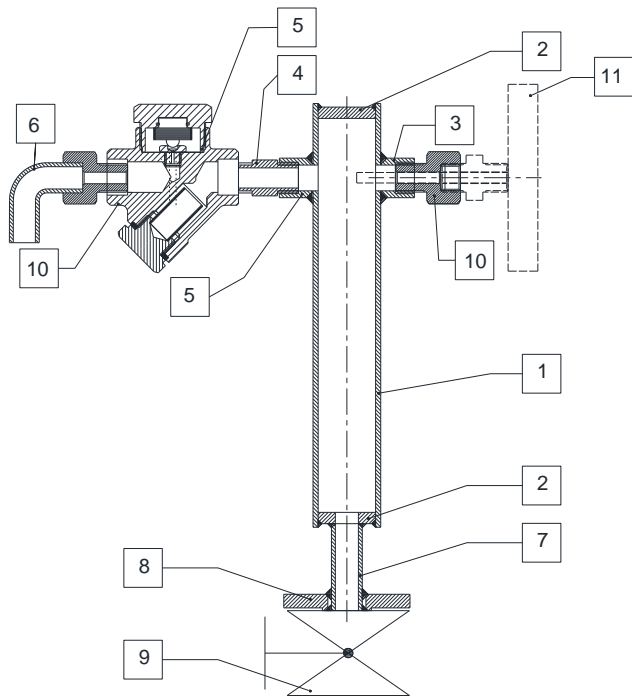
UAVA	A	B	C	Weight(lb)
1/2"	14.17	11.8	10.24	6.9
3/4"	14.17	11.8	10.24	7.4

UAV	Weight(lb)
1/2"	2.2
3/4"	2.2



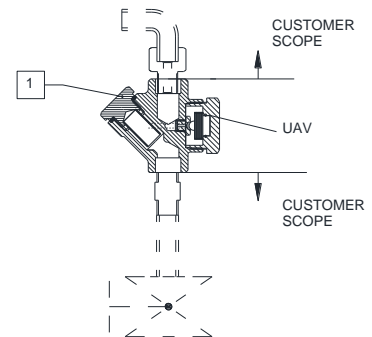
UKL-DS-IU-UAV-R00-MAY 2017

BILL OF MATERIAL:-



UKL AIR VENT ASSEMBLY (UAVA)			
NO	PART NAME	MATERIAL	CODE
1	SEAMLESS PIPE 1½"	CARBON STEEL	ASTM A 106 Gr.B
2	END PLATE	CARBON STEEL	ASTM A 515 Gr.60
3	HALF COUPLING	FORGED STEEL	ASTM A 105
4	DOUBLE ENDED NIPPLE	FORGED STEEL	ASTM A 105
5	AIR VENT	FORGED STEEL	ASTM A 105
6	BEND	CARBON STEEL	ASTM A 106 Gr.B
7	SEAMLESS PIPE ½"	CARBON STEEL	ASTM A 106 Gr.B
8	SORF/SWRF FLANGE	CARBON STEEL	ASTM A 105
9	PISTON VALVE	CAST STEEL	ASTM A 216 Gr.WCB
10	CONNECTOR	FORGED STEEL	ASTM A 105
11	TEMP. GAUGE	SS	SS

UKL AIR VENT (UAV):-			
PART No.	PART NAME	MATERIAL	CODE
1	THERMOSTATIC AIR VENT	FORGED STEEL	ASTM A 105



SPARES Available-

Thermostatic Trap- ½" / ¾"

Piston Valve - ½" / ¾"

HOW TO ORDER :-

UKL AIR VENT ASSEMBLY ½" TEMP GAUGE

PLEASE SPECIFY AIR VENT OR AIR VENT ASSEMBLY

Other Products :



Cast / Forged Steel Piston Valves, Bellow seal valves, High Pressure valves (Gate/Globe), Strainers – "Y" Type Steam Traps (Thermodynamic, Thermostatic, Ball Float Traps), Pressure Reducing Station, Condensate Recovery Products. Level Gauges (Reflex, Transparent, Bicolor), Sight Glass, Hot Water Generation System, Safety and Relief Valves. FSD Products : Compressed Asbestos / Non Asbestos Fiber Sheetting / Cut Gaskets, Spiral Wound Gaskets.

In view of technical progress design and dimensions are subjected to change without notice.



UNI KLINGER LIMITED

A joint venture of the Neterwala group of companies and KLINGER AG. Switzerland.

Central Sales Office & Pune Branch : SC1, 5th Fl., Kohinoor Est. Mumbai-Pune Highway, Khadki, Pune-411 003. Tel.: +91-20-4102 3000 Fax.: (020) 4102 3001
e-mail : salesco@uniklinger.com, salespune@uniklinger.com, Website : www.uniklinger.com

Factory : C-37, M.I.D.C., Ahmednagar – 414 111, Maharashtra, Tel. : 0241 – 2777223 / 2777512 Fax : 0241 – 2777294, E-mail : fdworks@uniklinger.com

Branch Offices :

Baroda : 102, 1st Floor, Ofitel Towers-II R.C. Dutt Road, Baroda-390 005, Tel.:91-0265-2312343 / 2340660, Fax.: 91-265-2341419, E-mail : salesbar@uniklinger.com
Chennai : East Coast Centre, 5th Floor, 553, Mount road, Teyanampet, Chennai - 600 018, Tel.: 91 - 44 - 24345707, Fax.: 91 - 44 - 24343960, E-mail : saleschen@uniklinger.com
Kolkata : 9, Chittrakoot, 8th Floor, 230 A, A.J.C Bose road, Kolkatta-700 020, Tel.: 91-33-22872510, Fax.: 91-33-22876494, E-mail : salescal@uniklinger.com
Mumbai : 22, 2nd Flr, Shreeji Arcade CHS, Almeda road, Thane-400 602, Tel.: 91-22-25421140 / 91-22-25440461, Fax.: 91-22-25440463, E-mail : salesmum@uniklinger.com
Delhi : 321, Ansal Chamber-II, 6, Bhikaji Cama Place, New Delhi-110 066, Tel.: 91-11-41658767 / 91-11-26193847, Fax.: 91-11-41658768, E-mail : salesdel@uniklinger.com