

**UNI KLINGER** is keeping with the innovative Methods to help Process Industry achieve higher levels of operational Efficiency have to proper and thorough mixing of Boiler Feed water with the other available thermal streams as well as removal of non condensable gases from BFW tank.

**What is a Deaerator Head –**

An attachment to the existing BFW tank

- Mixing nozzles for Flash steam, Condensate from Plant areas and Fresh Make-up water
- SS perforated mixing pipe immersed in feed water
- Optional recycling water circulation system on Request.

**Features:-**

Various reasons to go for Deaerator Head for Process Boilers

- Removes Air, Oxygen, and other non condensable gases.
- Provides effective mixing of BFW with available thermal streams.
- Immersed Perforated Pipe allows uniform heating in Feed water tank.
- Improves efficiency of Boilers by preheating Feed water.
- SS internals avoid corrosion.
- HP boilers can afford to go for a pressurized de-aeration system. But for process boilers a separate DA vessel will cost as much as the boiler cost and may not be affordable and justified.

**MATERIAL OF CONSTRUCTION:**

Body Carbon Steel/ Stainless Steel

Internals SS 316

**SIZES AVAILABLE:-**

6” to 12”

**INSTALLATION:-**

Preferably in Vertical position.

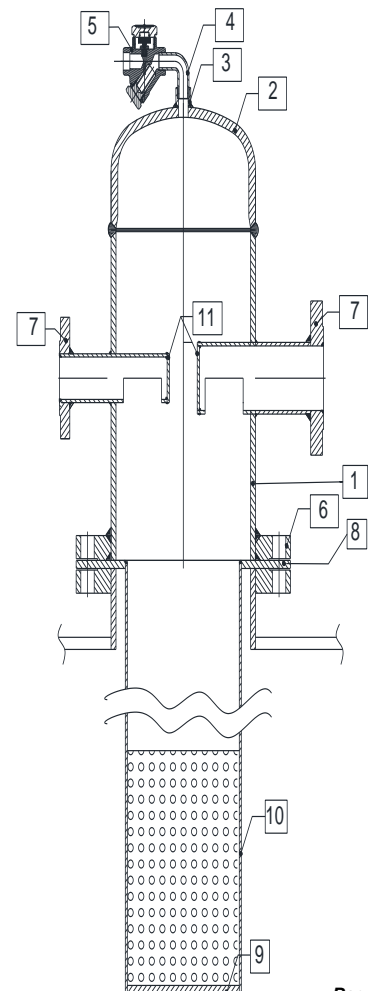
**OPERATING CONDITIONS :**

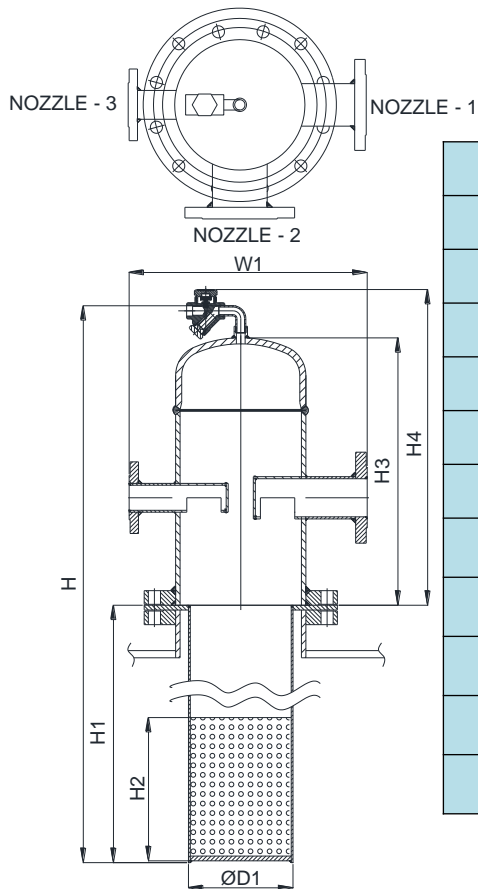
Maximum Operating Pressure : 149.36 psi

Maximum Operating Temperature : 752 °F

**OPTIONAL:-**

IBR/Non-IBR





11	End Plate	Carbon Steel	Carbon Steel
10	Deep Tube SCH. 10S	Stainless Steel	AISI 316
9	End Plate	Stainless Steel	AISI 316
8	Connecting Plate	Stainless Steel	AISI 316
7	SORF Flanges Class 150	M.S.	M.S.
6	Branch Pipe	Carbon Steel	ASTM A 106 Gr. B
5	Thermostatic Trap	Forged Steel	ASTM A 105
4	Bend 1/2"	M.S.	M.S.
3	Half Coupling BSP #3000	Carbon Steel	ASTM A 105
2	Dish End	M.S.	M.S.
1	Dearator Head Pipe SCH.40	Carbon Steel	ASTM A 106 Gr. B
<b>No.</b>	<b>PART NAME</b>	<b>MATERIAL</b>	<b>MATERIAL CODE</b>

SR.	Size	Dearator Head ØD (Inches)	Perforation Tube ØD1 (Inches)	Height H (in)	Height H1 (in)	Height H2 (in)	Height H3 (in)	Height H4 (in)	Width W (in)	Width W1 (in)	Condensate Nozzle-1	Flash Steam Nozzle-2	Make up Nozzle-3
1	6"	6"	4"	69.3	47.2	15.8	17.7	22.1	7.4	14	2"	3"	2"
2.1	8"	8"	6"	73.2	47.2	15.8	21.7	26	8.4	16.4	3"	4"	2"
2.2	8"	8"	6"	96.9	70.9	15.8	21.7	26	8.4	16.4	3"	4"	2"
3.1	10"	10"	8"	98.8	70.9	19.7	23.6	28	9.5	18.5	4"	6"	3"
3.2	10"	10"	8"	122.4	94.5	19.7	23.6	28	9.5	18.5	4"	6"	3"
4.1	12"	12"	10"	106.7	70.9	19.7	31.5	35.8	10.5	20.6	5"	6"	4"
4.2	12"	12"	10"	130.3	94.5	19.7	31.5	35.8	10.5	20.6	5"	6"	4"

## HOW TO ORDER

While ordering always specify total length, design and working pressure/Temperature.

Example :- UDH 8" Total Length 70.9"

**Other Products :** 

Cast / Forged Steel Piston Valves, Bellow seal valves, High Pressure valves (Gate/Globe), Strainers – "Y" Type Steam Traps (Thermodynamic, Thermostatic, Ball Float Traps), Pressure Reducing Station, Condensate Recovery Products. Level Gauges (Reflex, Transparent, Bicolor), Sight Glass, Hot Water Generation System, Safety and Relief Valves. **FSD Products :** Compressed Asbestos / Non Asbestos Fiber Sheeting / Cut Gaskets, Spiral Wound Gaskets.

*In view of technical progress design and dimensions are subjected to change without notice.*

**UKL® UNI KLINGER LIMITED**  
A joint venture of the Neterwala group of companies and KLINGER AG. Switzerland.

**Central Sales Office & Pune Branch :** SC1, 5<sup>th</sup> Fl., Kohinoor Est. Mumbai-Pune Highway, Khadki, Pune-411 003. Tel.: +91-20-4102 3000 Fax.: (020) 4102 3001  
e-mail : [salesco@uniklinger.com](mailto:salesco@uniklinger.com), [salespune@uniklinger.com](mailto:salespune@uniklinger.com), Website : [www.uniklinger.com](http://www.uniklinger.com)

**Factory :** C-37, M.I.D.C., Ahmednagar – 414 111, Maharashtra, Tel. : 0241 – 2777223/2777512 Fax : 0241 – 2777294, E-mail : [fdworks@uniklinger.com](mailto:fdworks@uniklinger.com)

**Branch Offices :**

**Baroda :** 102, 1<sup>st</sup> Floor, Otel Towers-II R.C. Dutt Road, Baroda-390 005, Tel.: 91-0265-2312343/2340660, Fax.: 91-265-2341419. E-mail : [salesbar@uniklinger.com](mailto:salesbar@uniklinger.com)  
**Chennai :** East Coast Centre, 5<sup>th</sup> Floor, 553, Mount road, Teyanampet, Chennai - 600 018, Tel.: 91 - 44 - 24345707. Fax.: 91 - 44 - 24343960. E-mail : [saleschen@uniklinger.com](mailto:saleschen@uniklinger.com)  
**Kolkata :** 9, Chittrakoot, 8<sup>th</sup> Floor, 230 A, AJC Bose road, Kolkatta-700 020, Tel.: 91-33-22872510, Fax.: 91-33-22876494. E-mail : [salescal@uniklinger.com](mailto:salescal@uniklinger.com)  
**Mumbai :** 22, 2<sup>nd</sup> Flr, Shreeji Arcade CHS, Alameda road, Thane-400 602, Tel.: 91-22-25421140/91-22-25440461, Fax.: 91-22-25440463. E-mail : [salesmum@uniklinger.com](mailto:salesmum@uniklinger.com)  
**Delhi :** 321, Ansal Chamber-II, 6, Bhikaji Cama Place, New Delhi-110 066, Tel.: 91-11-41658767/91-11-26193847, Fax.: 91-11-41658768. E-mail : [salesdel@uniklinger.com](mailto:salesdel@uniklinger.com)