

Steam distribution manifolds facilitate the distribution of steam to various user points (mainly for tracing applications) through Forged units with inbuilt Piston valves for isolation.

Similarly condensate from these points can be collected through the condensate collection manifolds consisting with associated isolation and by-pass piston valves.

A very effective way of distribution and collection allowing a clean environment devoid of cluster of pipes and equipments. Designed for double duty of both Steam distribution as well as condensate collections through the same body. UKL Steam and Condensate manifolds are made from forged steel and are available in configurations of 4, 8, or 12 take-off points.

Integral piston valves of glandless and seatless design will ensure that leakages across seat and gland areas are eliminated totally.

Forged design minimizes the welding requirements making it much easier to operate and maintain headers.

These manifolds are designed for vertical installation. The back is provided with threaded connections M16 stud for ease of installation by attaching to a supporting structure.

The steam main/condensate return connections is 40 NB. The tracer line drain connections are available as 15NB/20NB.

OPERATING CONDITIONS :

Maximum Operating Pressure : 725.46 psig

Maximum Operating Temperature : 797 °F

MATERIAL OF CONSTRUCTION:

ASTM A 105

END CONNECTIONS:

Socket Weld Class 3000 as per ASME B 16.11

Flanged End Class #150/#300 as per ASME B16.5

OPTIONAL:-

Steam Distribution Manifolds:

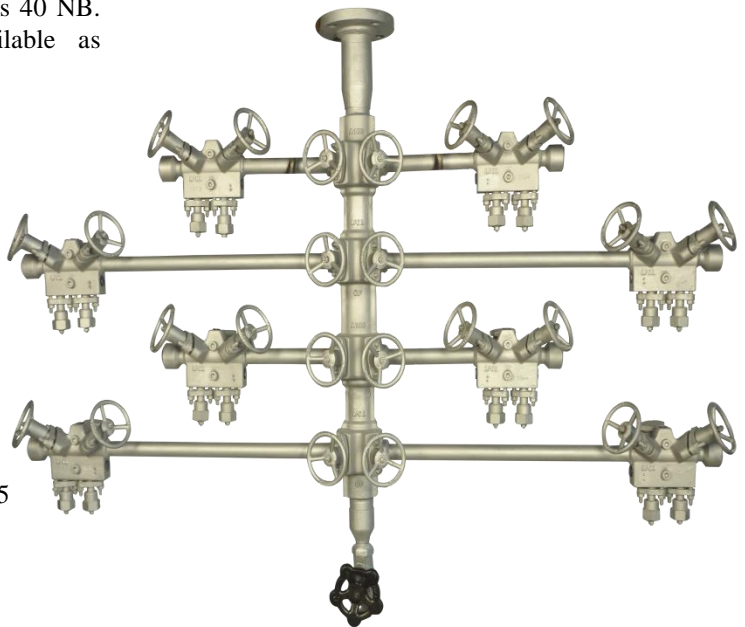
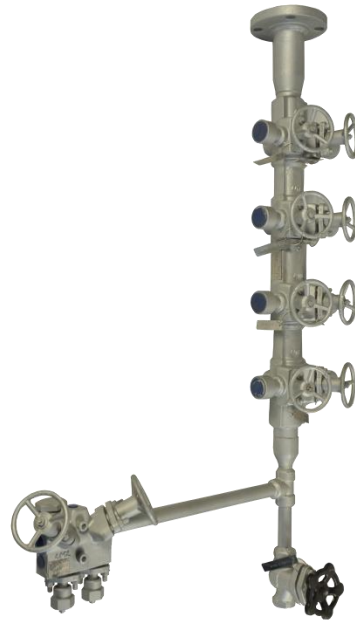
Strainer and Isolation Valve at inlet of manifold.

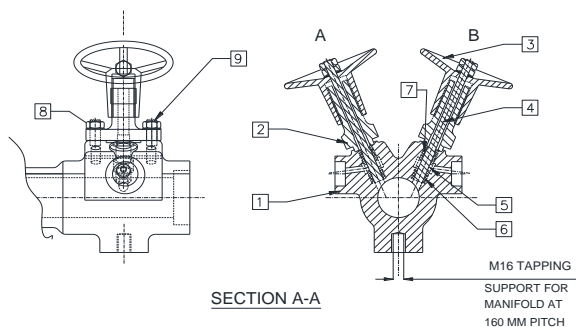
UTD Trap Assembly at bottom

Condensate Collection Manifolds:-

UITVS Trap assembly at all branches / tracing lines

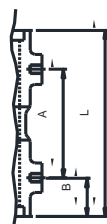
Drain valve at bottom



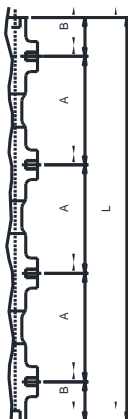


PART	PART NAME	MATERIAL	MATERIAL CODE
1	BODY	FORGED STEEL	ASTM A 105
2	BONNET	FORGED STEEL	ASTM A 105
3	HAND WHEEL	CARBON STEEL	ASTM A 216 Gr. WCB
4	INTEGRAL PISTON SPINDLE WITH (RISING TYPE)	STAINLESS STEEL	ASTM A 276 Gr. TP. 410
5	LANTERN BUSH	STAINLESS STEEL	ASTM A 276 Gr. TP. 410
6	RENEABLE TYPE LOWER VALVE RING	KLINGER STD.	WITH SS IMPREGNETION KLINGER GRAHITED
7	RENEABLE TYPE UPPER VALVE RING	KLINGER STD.	WITH SS IMPREGNETION KLINGER GRAHITED
8	BONNET NUT	CARBON STEEL	ASTM A 194 Gr. 2H
9	STUD BOLT	ALLOY STEEL	ASTM A 193 Gr. B7

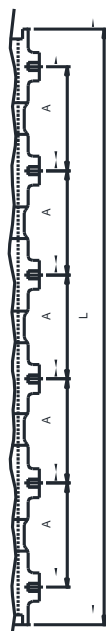
UKL 4 WAY



UKL 8 WAY



UKL 12 WAY



Dimensions (inches)			
	4 Way	8 Way	12 Way
L (mm)	12.60	25.20	37.80
A (mm)	6.30	6.30	6.30
B (mm)	3.15	3.15	3.15

Weights (lb)			
Manifold	USDM	4 way	23.52
		8 way	49.28
		12 Way	72.8
	UCCM	4 way	19.26
		8 way	43.90
		12 Way	62.72



Cast / Forged Steel Piston Valves, Bellow Seal Valves, High Pressure valves (Gate/Globe), Strainers – "Y" Type, Flash Vessel, Steam Traps (Thermodynamic, Thermostatic, Ball Float Traps, Inverted Bucket), Pressure Reducing Station, Condensate Recovery Products, Level Gauges (Reflex, Transparent, Bicolor), Sight Glass, Hot Water Generation System, Safety and Relief Valves.
FSD Products : Compressed Asbestos / Non Asbestos Fiber Sheeting / Cut Gaskets, Spiral Wound Gaskets.

In view of technical progress design and dimensions are subjected to change without notice.

UKL® UNI KLINGER LIMITED

A joint venture of the Neterwala group of companies and KLINGER AG. Switzerland.

Central Sales Office & Pune Branch : SC1, 5th Fl., Kohinoor Est. Mumbai-Pune Highway, Kadaki, Pune-411 003. Tel.: +91-20-4102 3000 Fax.: (020) 4102 3001
 e-mail : salesco@uniklinger.com, salespune@uniklinger.com, Website : www.uniklinger.com

Factory : C-37, M.I.D.C., Ahmednagar – 414 111, Maharashtra, Tel. : 0241 – 2777223 / 2777512 Fax : 0241 – 2777294, E-mail : fdworks@uniklinger.com

Branch Offices :

Baroda : 102, 1st Floor, Otel Towers-II R.C. Dutt Road, Baroda-390 005, Tel.: 91-0265-2312343 / 2340660, Fax.: 91-265-2341419. E-mail : salesbar@uniklinger.com
Chennai : East Coast Centre, 5th Floor, 553, Mount road, Teyanampet, Chennai - 600 018, Tel.: 91 - 44 - 24345707. Fax.: 91 - 44 - 24343960. E-mail : saleschen@uniklinger.com
Kolkata : 9, Chittrakoot, 8th Floor, 230 A, A/JC Bose road, Kolkata-700 020, Tel.: 91-33-22872510, Fax.: 91-33-22876494. E-mail : salescal@uniklinger.com
Mumbai : 22, 2nd Flr, Shreeji Arcade CHS, Almeda road, Thane-400 602, Tel.: 91-22-25421140 / 91-22-25440461, Fax.: 91-22-25440463. E-mail : salesmum@uniklinger.com
Delhi : 321, Ansal Chamber-II, 6, Bhikaji Cama Place, New Delhi-110 066, Tel.: 91-11-41658767 / 91-11-26193847, Fax.: 91-11-41658768. E-mail : salesdel@uniklinger.com