

Steam used for secondary heating like Coils, vessels, heat exchangers etc, generate a lot of condensate post heat transfer. This large quantity condensate can handle by the Inverted Bucket Trap. This condensate has a substantial heat component with cost tagged to it. Also this is treated and pure water and can be used as Feed water for the Boiler, saving the cost of heating, Water Bill and Treatment chemicals. Therefore it makes sense to recycle / reuse this condensate. This function is also done by the Inverted Bucket Trap which works on the principle of Buoyancy, [densities difference of Water and Steam].The rising in condensate level fills and envelopes the Bucket causing it to sink which open the mechanically linked valve and discharges the condensate, and reverse, when the level of condensate drops Steam enters the bucket, causes the flotation of the Bucket which close the valve and stops condensate discharge & traps the steam.



Features:-

- UKL UIBT-28US is optimally sized for complete removal of condensate.
- UKL UIBT-28US is suitable with universal connector .
- UKL UIBT-28US is designed to eliminate internals damages caused by impingement of condensate.
- Maintenance free and long life.

MATERIAL OF CONSTRUCTION:

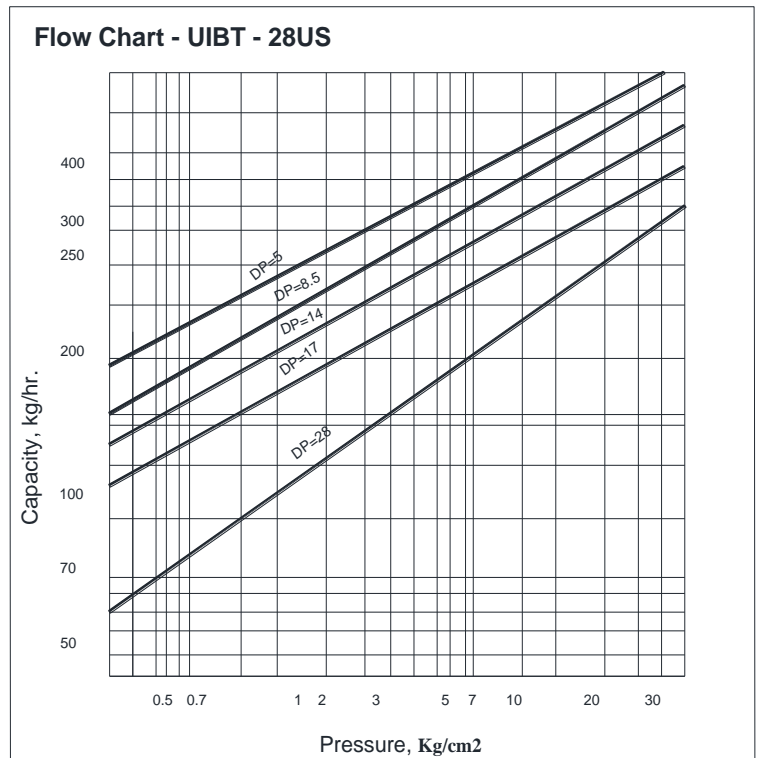
ASTM A 351 Gr. CF8
ASTM A 240 TP304 L

SIZES AVAILABLE:-

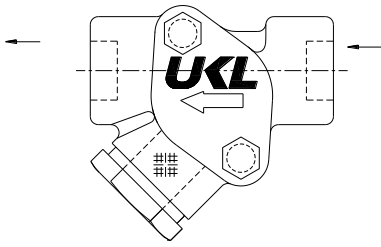
½”, ¾” AND 1”

END CONNECTIONS:

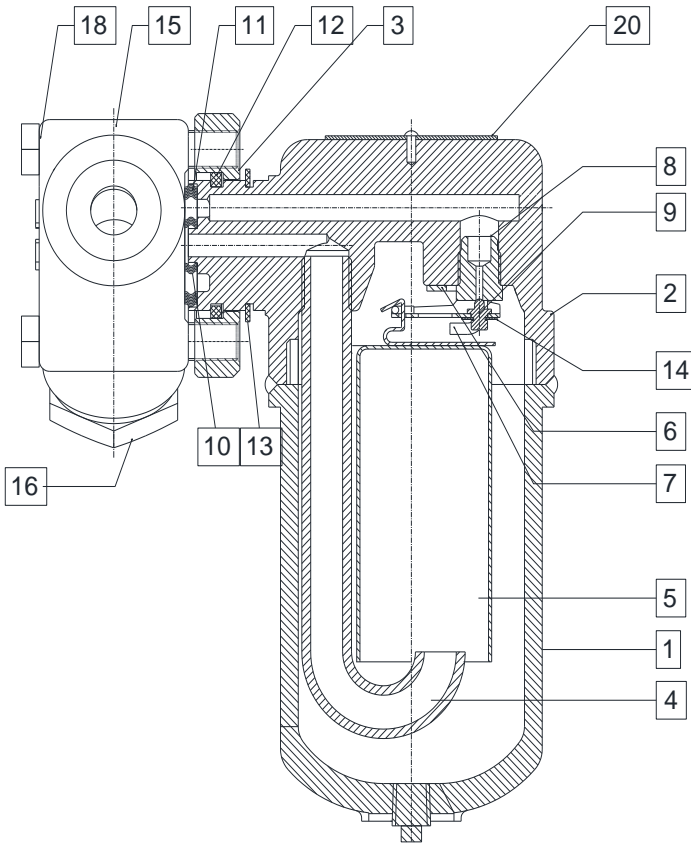
Screwed NPT and BSPT
Socket Weld
Suitable with UITVS (Universal Flange)



UNIVERSAL CONNECTOR



- Connector Body : Stainless Steel CF8
- Connector Without integral strainer
- Connector with integral strainer
- Connector with integral strainer and blow down valve.



OPERATING CONDITIONS :

Maximum Operating Pressure : 398.3 psi
Maximum Operating Temperature : 797 °F

DESIGN CONDITIONS :

Maximum Design Pressure : 739.7 psi
Maximum Design Temperature : 797 °F

OPTIONAL:-

IBR/Non-IBR

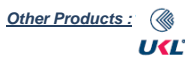
UIBT 28US with UITVS (*on request)

Orientation L-R or R-L available

Available in Differential Pressure - psi (bar)

71.12(5) / 120.9(8.5) / 199.15(14) / 241.8(17) / 398.29(28)

ITEM	DESCRIPTION	MATERIAL
1	BODY	ASTM A351 Gr. CF8M ASTM A351 Gr. CF8 /
2	COVER	ASTM A351 Gr. CF8 / CF8M
3	CONNECTOR FLANGE	ASTM A 182 F304 / F316 ASTM A351 Gr.CF8 / CF8M /
4	PIPE (1/4" SCH.80)	AISI 304 / ASTM A 312 TP. 304
5	BUCKET	AISI 304
6	BRACKET	AISI 304
7	LEVER	AISI 304
8	VALVE SEAT (HARDENED)	AISI 420 / AISI410 / ASTM A 681 Gr D2
9	VALVE PIN (HARDENED)	AISI 420 / ASTM A 681 Gr D2
10	SPIRAL WOUND GASKET	SS WITH GRAPHITE FILLER
11	SPIRAL WOUND GASKET	SS WITH GRAPHITE FILLER
12	RETAINER RING	AISI 304
13	CIRCLIP	AISI 304
14	LOCKING STRIP	AISI 304
15	UNIVERSAL CONNECTOR	ASTM A351 Gr. CF8M / CF8
16	BOLT (M10 X 65 - 25 NB) BOLT (M10 X 55 - 15 / 20NB)	EQUI. OR HIGHER Gr. Gr.10.9 / Gr. 12.9 / Gr.8.8 /
17	STRAINER	AISI 304
18	STRAINER (FILTER) CAP	ASTM A 182 F304 / F 316
19	SPRIAL WOUND GASKET	SS WITH GRAPHITE FILLER
20	NAME PLATE	AISI 304



Other Products : Cast / Forged Steel Piston Valves, Bellow seal valves, High Pressure valves (Gate/Globe) , Strainers – "Y" Type Steam Traps (Thermodynamic, Thermostatic, Ball Float Traps), Pressure Reducing Station, Condensate Recovery Products. Level Gauges (Reflex, Transparent, Bicolor), Sight Glass, Hot Water Generation System, Safety and Relief Valves.
FSD Products : Compressed Asbestos / Non Asbestos Fiber Sheetting / Cut Gaskets, Spiral Wound Gaskets.

In view of technical progress design and dimensions are subjected to change without notice.



UNI KLINGER LIMITED

A joint venture of the Neterwala group of companies and KLINGER AG, Switzerland.

Central Sales Office & Pune Branch : SC1, 5th Fl., Kohinoor Est. Mumbai-Pune Highway, Khadki, Pune-411 003. Tel.: +91-20-4102 3000 Fax.: (020) 4102 3001
e-mail : salesco@uniklinger.com, salespune@uniklinger.com, Website: www.uniklinger.com

Factory : C-37, M.I.D.C., Ahmednagar – 411 114, Maharashtra, Tel. : 0241 – 2777223 / 2777512 Fax : 0241 – 2777294, E-mail : fdworks@uniklinger.com

Branch Offices :

Baroda : 102, 1st Floor, Otel Towers-II R.C. Dutt Road, Baroda-390 005, Tel.: 91-0265-2312343 / 2340660, Fax.: 91-265-2341419. E-mail : salesbar@uniklinger.com
Chennai : East Coast Centre, 5th Floor, 553, Mount road, Teyanampet, Chennai - 600 018, Tel.: 91 - 44 - 24345707. Fax.: 91 - 44 - 24343960. E-mail : saleschen@uniklinger.com
Kolkata : 9, Chittrakoot, 8th Floor, 230 A, AJC Bose road, Kolkatta-700 020, Tel.: 91-33-22872510, Fax.: 91-33-22876494. E-mail : salescal@uniklinger.com
Mumbai : 22, 2nd Flr, Shreeji Arcade CHS, Almeda road, Thane-400 602, Tel.: 91-22-25421140 / 91-22-25440461, Fax.: 91-22-25440463. E-mail : salesmum@uniklinger.com
Delhi : 321, Ansal Chamber-II, 6, Bhikaji Cama Place, New Delhi-110 066, Tel.: 91-11-41658767 / 91-11-26193847, Fax.: 91-11-41658768. E-mail : salesdel@uniklinger.com